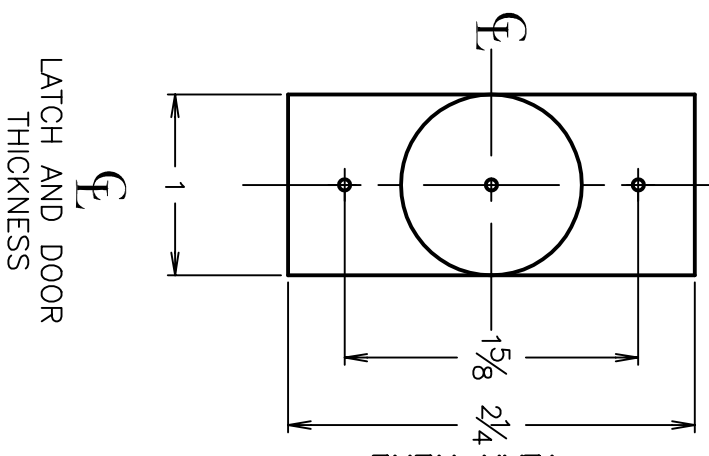
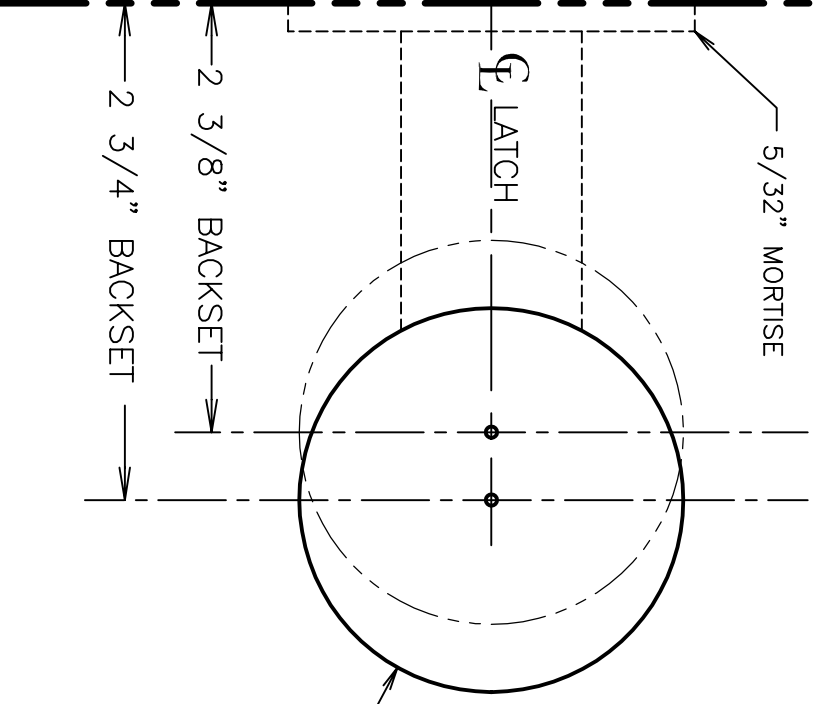


MARK  
CENTER OF  
DOOR  
THICKNESS  
FOR 1" DIA.  
HOLE



TEAR HERE



5/32" MORTISE

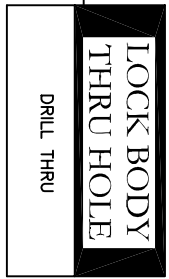
F LATCH

2 3/8" BACKSET

2 3/4" BACKSET

NOTE: ADJUST  
TEMPLATE FOR  
BEVELED DOORS

ø 2 1/8



# DOOR TEMPLATE



DATE: 1-5-00

SR 176  
ADJUSTABLE BACKSET  
MAY NOT BE TO SCALE  
PLEASE ENSURE THAT THIS IS THE MOST UP  
TO DATE TEMPLATE BY VISITING OUR  
WEBSITE AT [WWW.PDQLOCKS.COM](http://WWW.PDQLOCKS.COM)