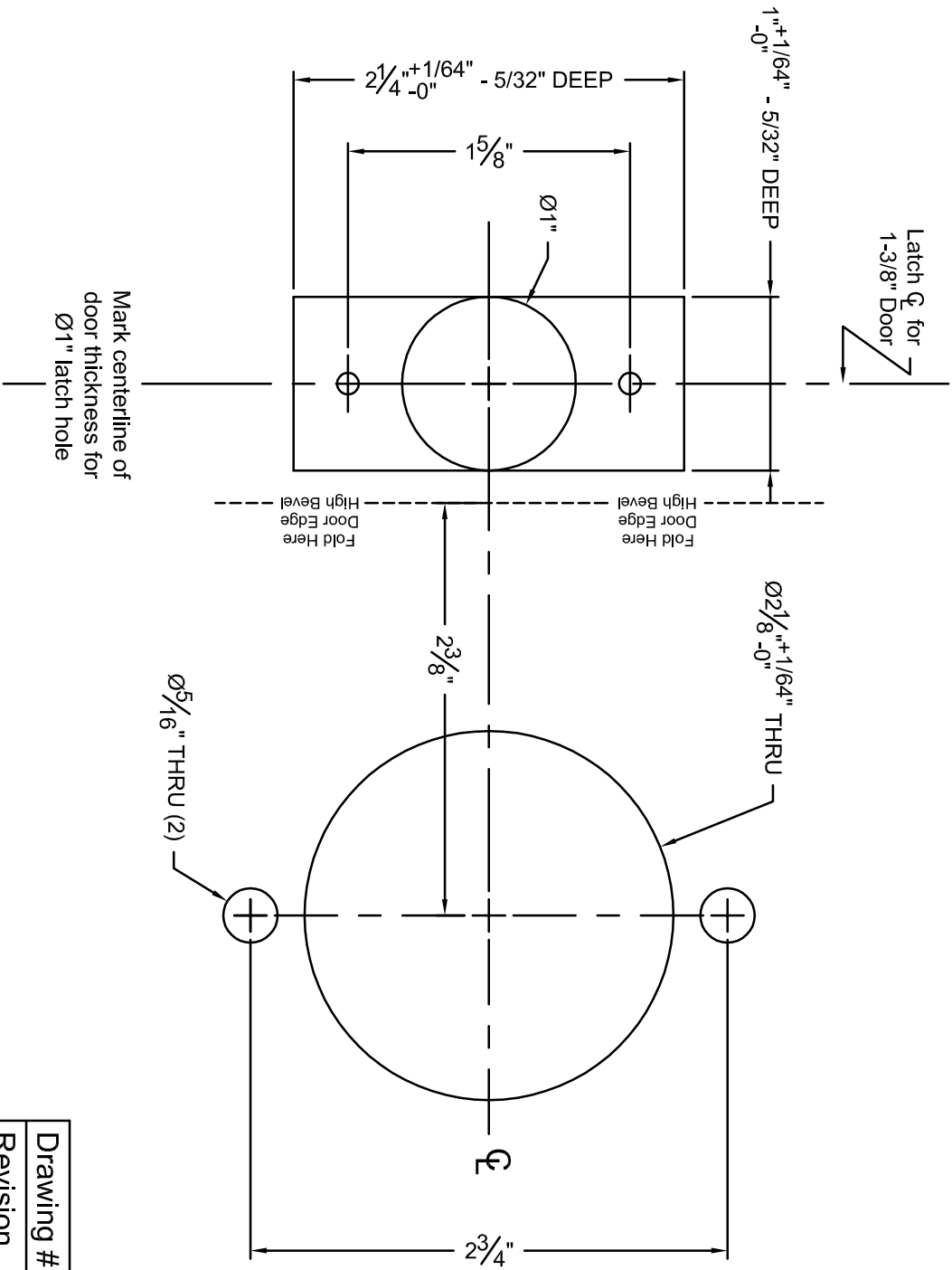




2754 Creek Hill Rd.  
 Leola, PA 17540  
 Telephone: (800) 441-9692  
 Fax: (717) 656-8749

# Template for GP/SA Series Cylindrical Lever Lockset

Applicable Functions
115
116
120
124
125
126
128
135
137
141
148
150
155
165
175
176
177
182



1" SQUARE CORNER LATCH FACE PLATE SHOWN.  
 OTHER LATCH FACE OPTIONS ARE AVAILABLE.  
 IT IS THE CUSTOMER'S RESPONSIBILITY TO VERIFY THE  
 LATCH FACE MACHINING DETAIL FOR YOUR PROJECT.

Drawing #	V32395
Revision	2
Door Thickness	1-3/8"
Backset	2-3/8"
Door Type	Square Edge