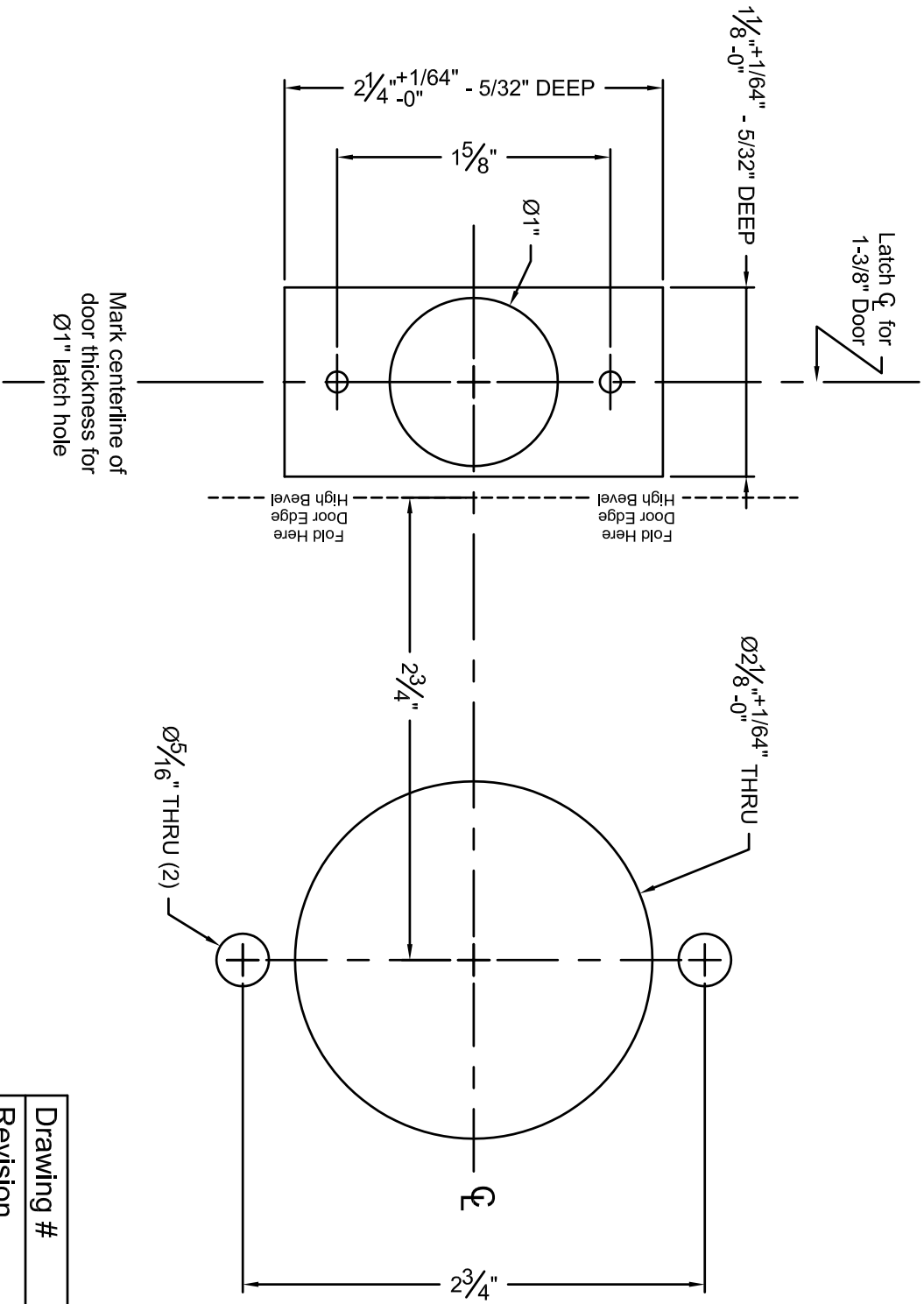


Template for GP/SA Series Cylindrical Lever Lockset

Applicable Functions
115
116
120
124
125
126
128
135
137
141
148
150
155
165
175
176
177
182



1-1/8" SQUARE CORNER LATCH FACE PLATE SHOWN.
 OTHER LATCH FACE OPTIONS ARE AVAILABLE.
 IT IS THE CUSTOMER'S RESPONSIBILITY TO VERIFY THE
 LATCH FACE MACHINING DETAIL FOR YOUR PROJECT.

Drawing #	V32393
Revision	1
Door Thickness	1-3/8"
Backset	2-3/4"
Door Type	Square Edge