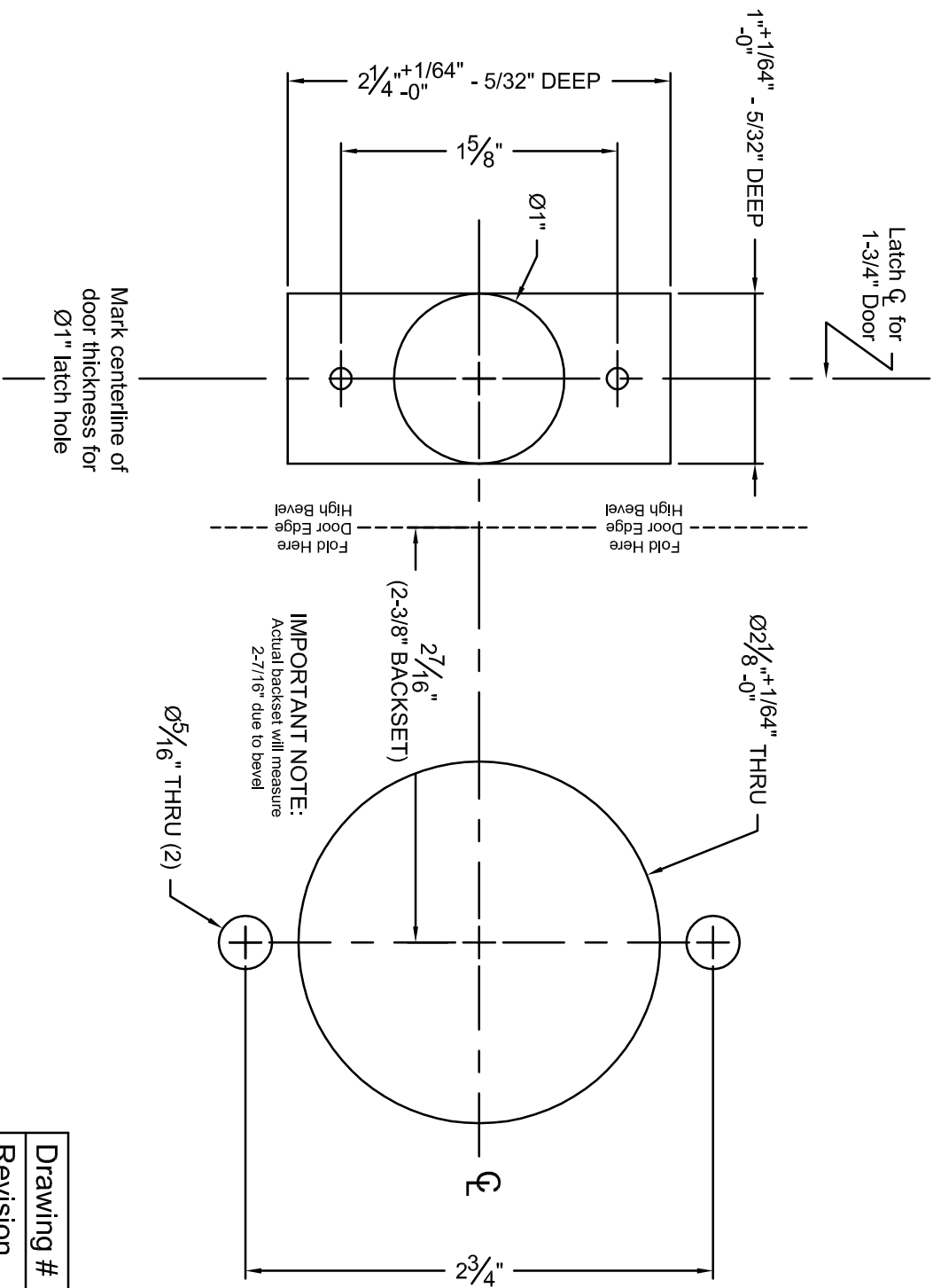


2754 Creek Hill Rd.
 Leola, PA 17540
 Telephone: (800) 441-9692
 Fax: (717) 656-8749

Template for GP/SA Series Cylindrical Lever Lockset

Applicable Functions
115
116
120
124
125
126
128
135
137
141
148
150
155
165
175
176
177
182



1" SQUARE CORNER LATCH FACE PLATE SHOWN.
 OTHER LATCH FACE OPTIONS ARE AVAILABLE.
 IT IS THE CUSTOMER'S RESPONSIBILITY TO VERIFY THE
 LATCH FACE MACHINING DETAIL FOR YOUR PROJECT.

Drawing #	V32390
Revision	2
Door Thickness	1-3/4"
Backset	2-3/8"
Door Type	Beveled Edge