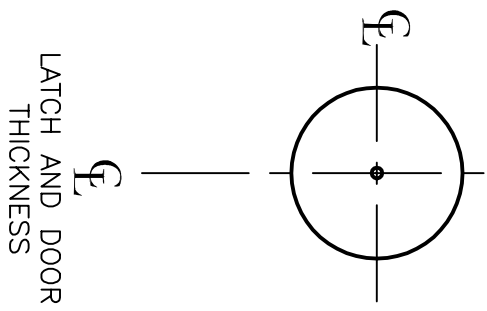
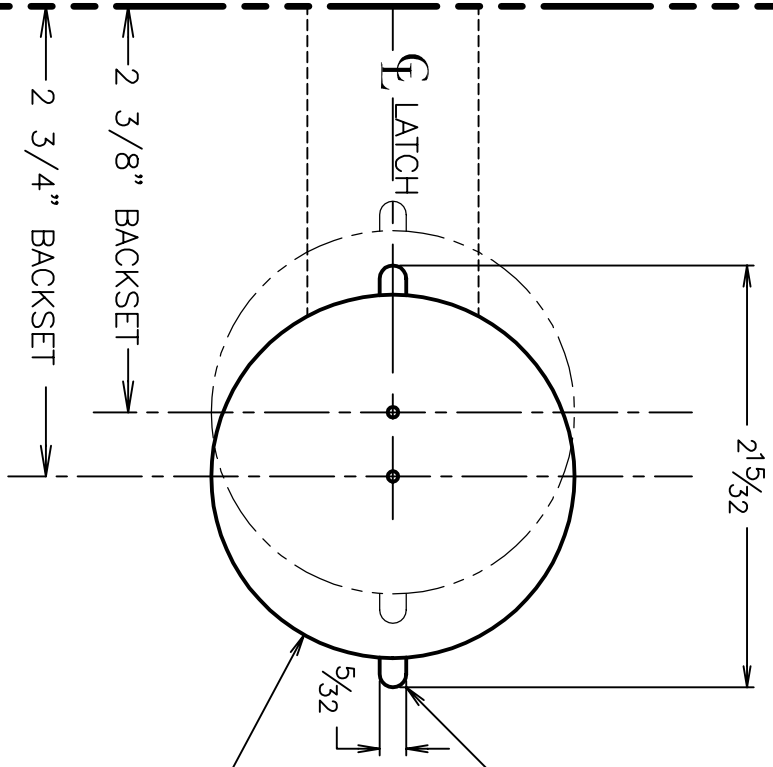


TEMPLATE NO.  
SEA115D.02

MARK  
CENTER OF  
DOOR  
THICKNESS  
FOR 1" DIA.  
HOLE



TEAR HERE



NOTE: ADJUST  
TEMPLATE FOR  
BEVELED DOORS

CLEARANCE  
NOTCHES  
CUT 3/32 DEEP  
MINIMUM

LOCK BODY  
THRU HOLE  
DRILL THRU  
Ø 21/8

# DOOR TEMPLATE



DATE: 2-8-00

SE 115 DRIVE IN BOLT  
ADJUSTABLE BACKSET  
MAY NOT BE TO SCALE  
PLEASE ENSURE THAT THIS IS THE MOST UP  
TO DATE TEMPLATE BY VISITING OUR  
WEBSITE AT WWW.PDQLOCKS.COM