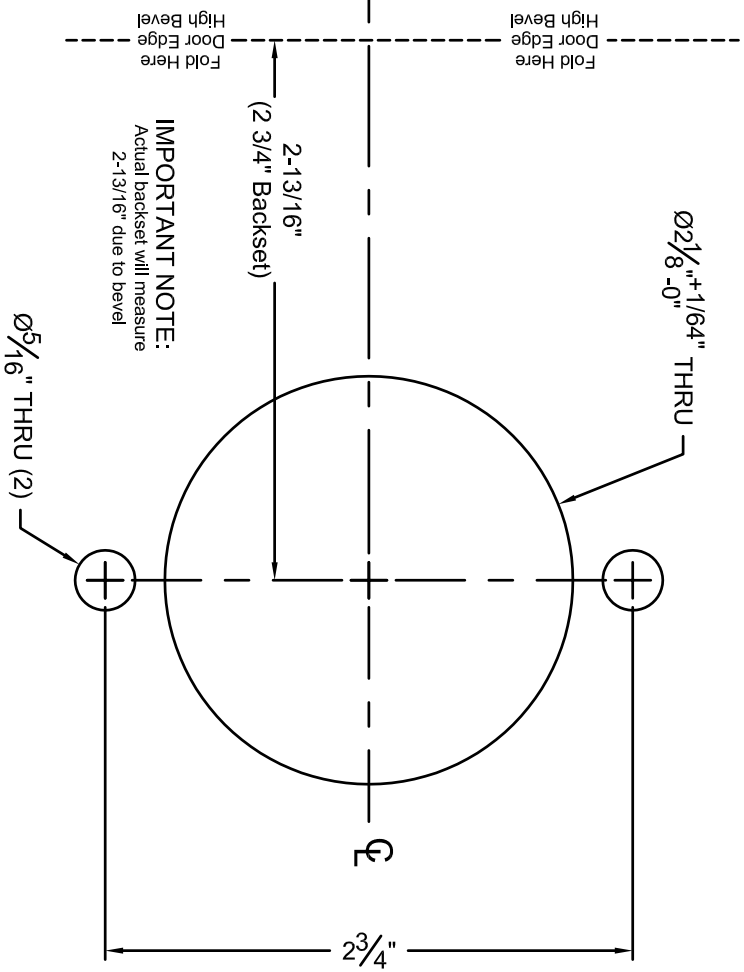
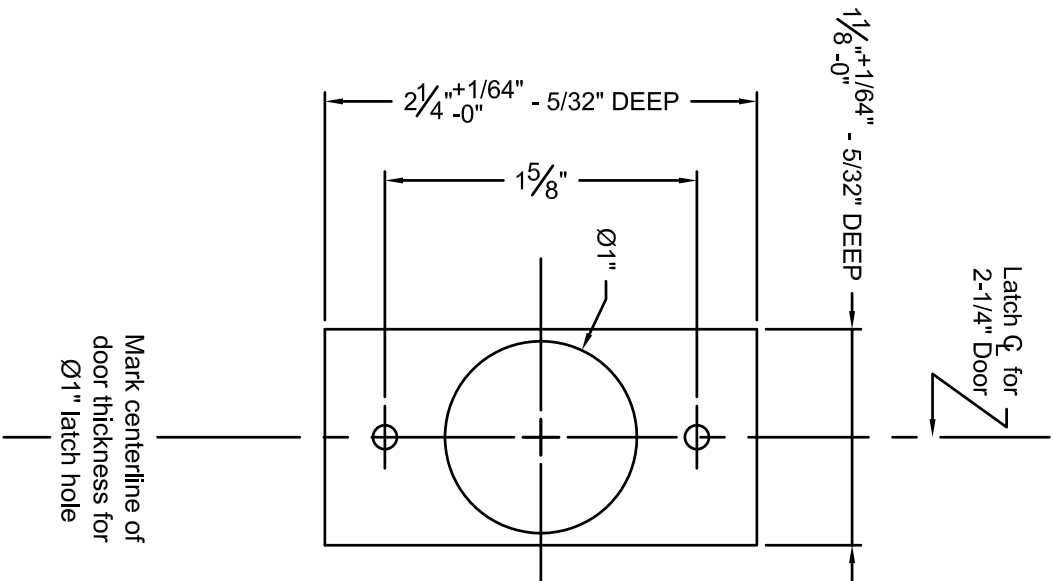




2754 Creek Hill Rd.  
 Leola, PA 17540  
 Telephone: (800) 441-9692  
 Fax: (717) 656-8749

# Template for GT Series Cylindrical Lever Lockset

Applicable Functions
115
116
120
124
125
126
128
135
137
141
148
150
155
165
175
176
177
182



Drawing #	V32422
Revision	0
Door Thickness	2-1/4"
Backset	2-3/4"
Door Type	Beveled Edge