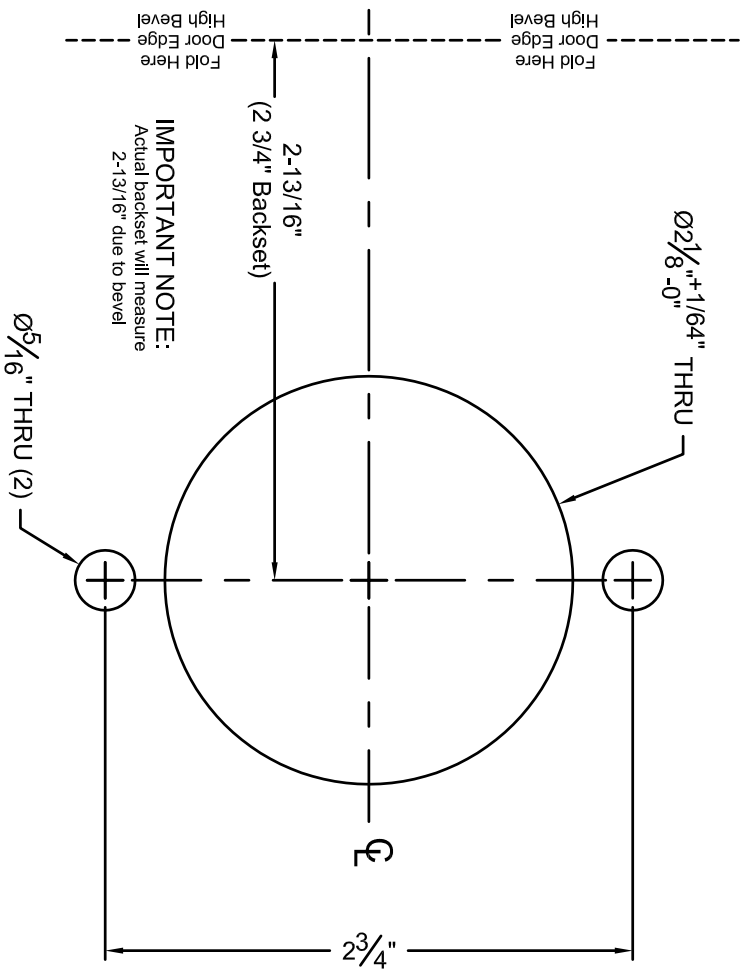
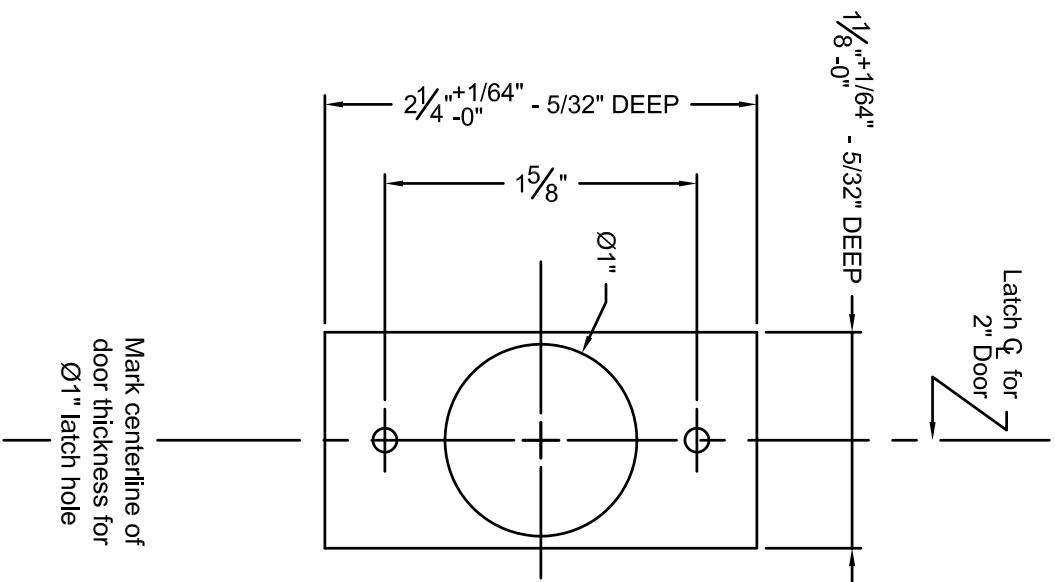


2754 Creek Hill Rd.
 Leola, PA 17540
 Telephone: (800) 441-9692
 Fax: (717) 656-8749

Template for GT Series Cylindrical Lever Lockset

Applicable Functions
115
116
120
124
125
126
128
135
137
141
148
150
155
165
175
176
177
182



Drawing #	V32421
Revision	0
Door Thickness	2"
Backset	2-3/4"
Door Type	Beveled Edge