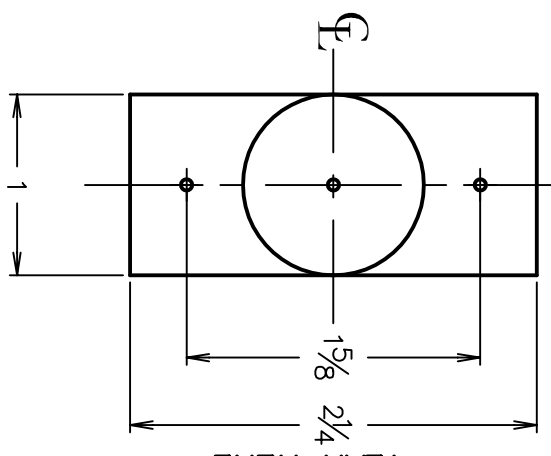


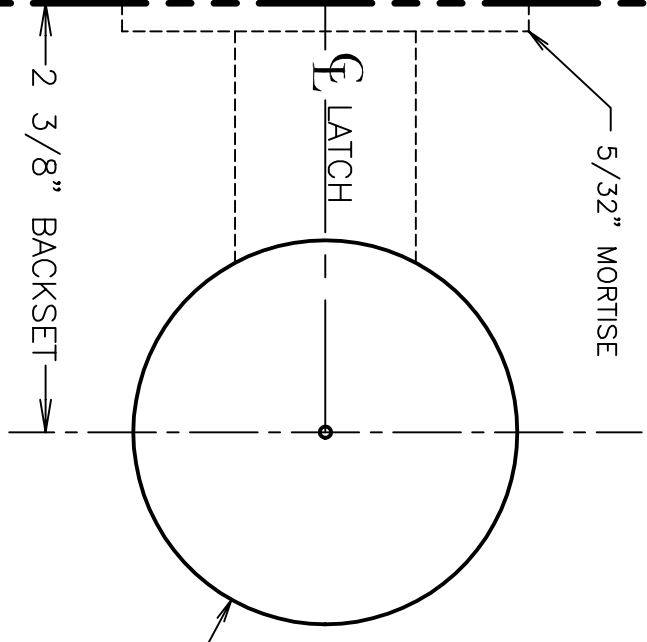
MARK
CENTER OF
DOOR
THICKNESS
FOR 1" DIA.
HOLE



LATCH AND DOOR
THICKNESS
F

TEAR HERE

5/32" MORTISE

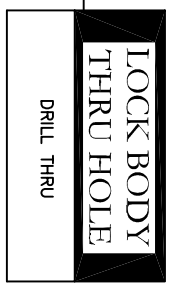


F LATCH

2 3/8" BACKSET

NOTE: ADJUST
TEMPLATE FOR
BEVELED DOORS

ø2 1/8



DOOR TEMPLATE



SV, SW, SR 176
2 3/8" BACKSET

DATE: 1-5-00

MAY NOT BE TO SCALE
PLEASE ENSURE THAT THIS IS THE MOST UP
TO DATE TEMPLATE BY VISITING OUR
WEBSITE AT WWW.PDQLOCKS.COM