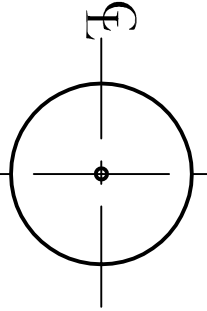


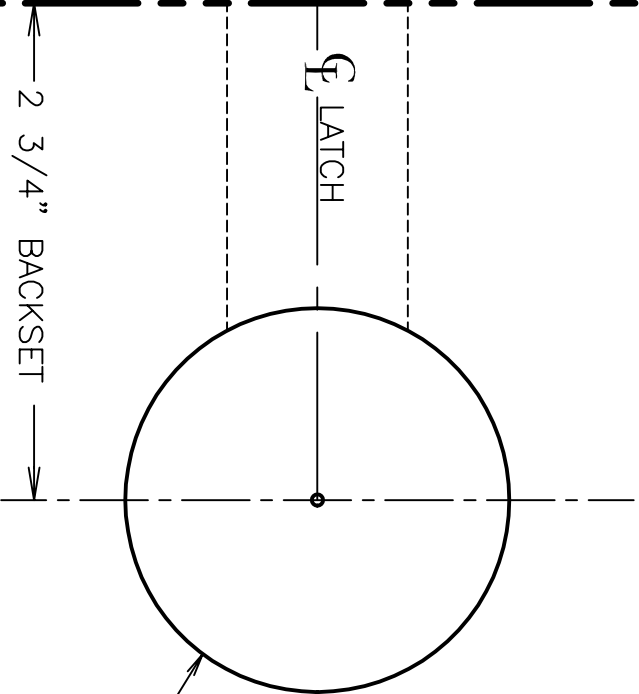
TEMPLATE NO.
SV4176D.01

MARK
CENTER OF
DOOR
THICKNESS
FOR 1" DIA.
HOLE



LATCH AND DOOR
THICKNESS

TEAR HERE



2 3/4" BACKSET

⌀ LATCH

⌀21/8

LOCK BODY
THRU HOLE
DRILL THRU

NOTE: ADJUST
TEMPLATE FOR
BEVELED DOORS

DOOR TEMPLATE



DATE: 1-5-00

SV, SW, SR 176 DRIVE IN BOLT
2 3/4" BACKSET

MAY NOT BE TO SCALE

PLEASE ENSURE THAT THIS IS THE MOST UP
TO DATE TEMPLATE BY VISITING OUR
WEBSITE AT WWW.PDQLOCKS.COM