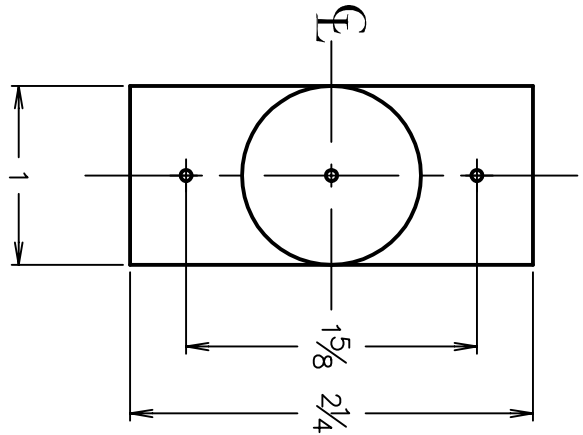
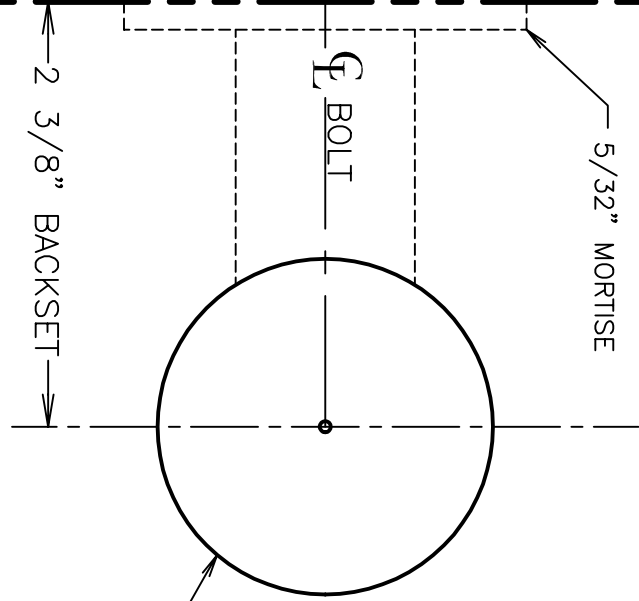


MARK  
CENTER OF  
DOOR  
THICKNESS  
FOR 1" DIA.  
HOLE



BOLT AND DOOR  
THICKNESS  
F

TEAR HERE

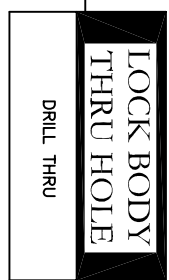


5/32" MORTISE

F BOLT

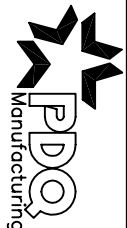
2 3/8" BACKSET

1 7/8"



NOTE: ADJUST  
TEMPLATE FOR  
BEVELED DOORS

# DOOR TEMPLATE



DATE: 1-5-00

KT 137  
2 3/8" BACKSET (FIXED)  
MAY NOT BE TO SCALE

PLEASE ENSURE THAT THIS IS THE MOST UP  
TO DATE TEMPLATE BY VISITING OUR  
WEBSITE AT WWW.PDQLOCKS.COM