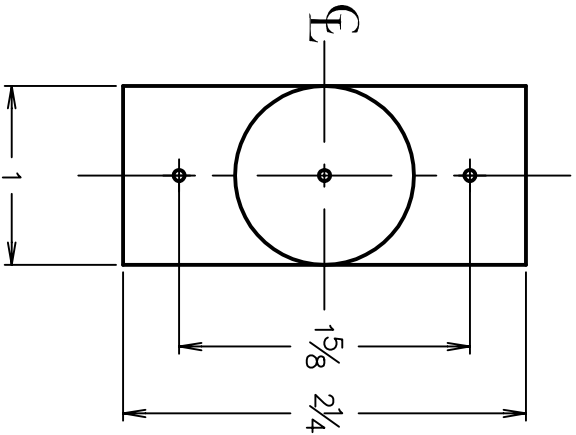
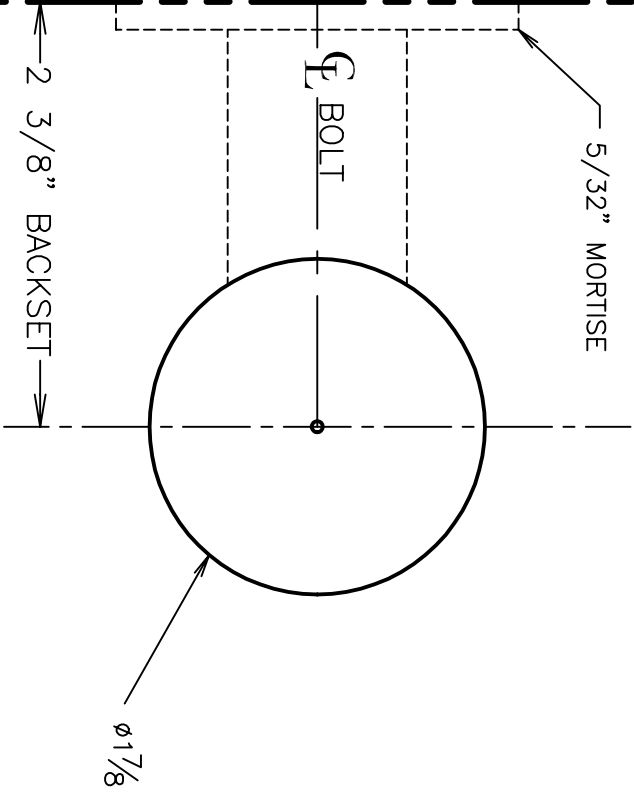


MARK  
CENTER OF  
DOOR  
THICKNESS  
FOR 1" DIA.  
HOLE



BOLT AND DOOR  
THICKNESS  
F

TEAR HERE



5/32" MORTISE

F BOLT

2 3/8" BACKSET

φ1 7/8

LOCK BODY  
THRU HOLE

DRILL THRU

NOTE: ADJUST  
TEMPLATE FOR  
BEVELED DOORS

## DOOR TEMPLATE



DATE: 1-5-00

KT 116

2 3/8" BACKSET (FIXED)

MAY NOT BE TO SCALE

PLEASE ENSURE THAT THIS IS THE MOST UP  
TO DATE TEMPLATE BY VISITING OUR  
WEBSITE AT WWW.PDQLOCKS.COM