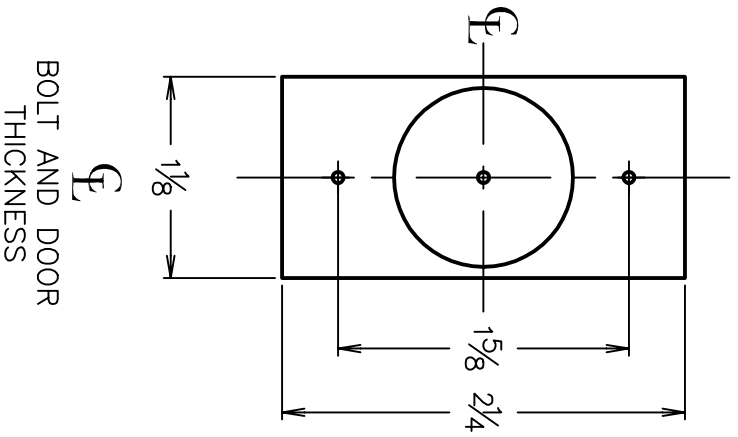
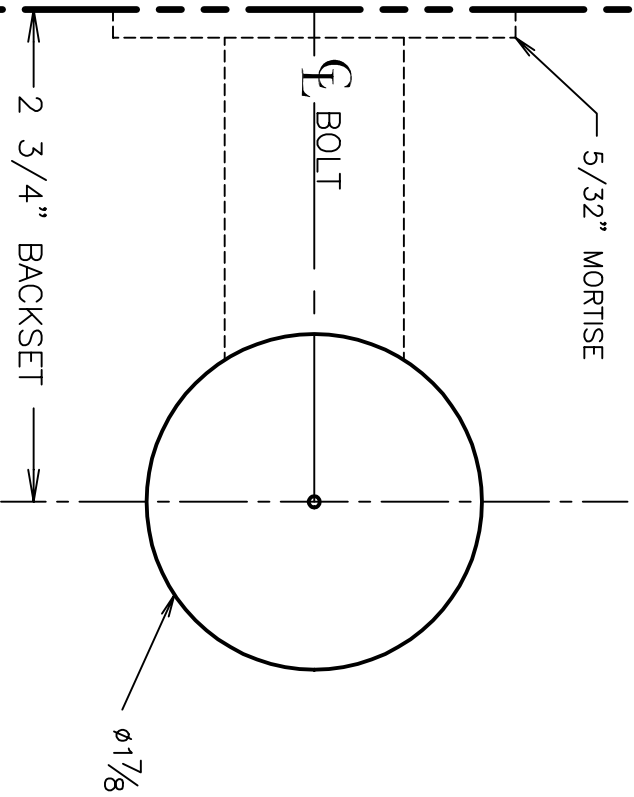


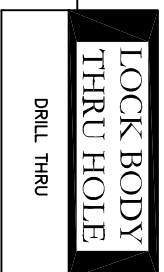
MARK
CENTER OF
DOOR
THICKNESS
FOR 1" DIA.
HOLE



TEAR HERE



NOTE: ADJUST
TEMPLATE FOR
BEVELED DOORS



DOOR TEMPLATE



DATE: 1-5-00

KT 116
2 3/4" BACKSET (FIXED)
MAY NOT BE TO SCALE

PLEASE ENSURE THAT THIS IS THE MOST UP
TO DATE TEMPLATE BY VISITING OUR
WEBSITE AT WWW.PDQLOCKS.COM