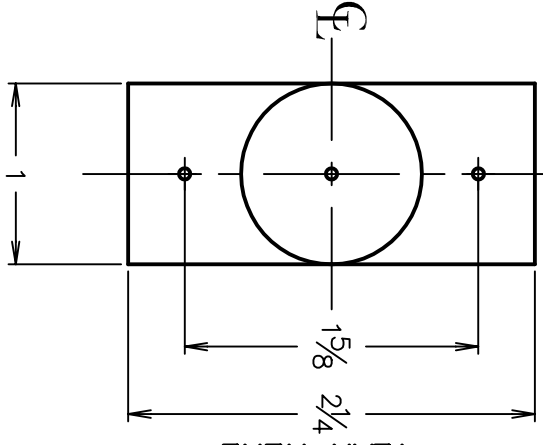


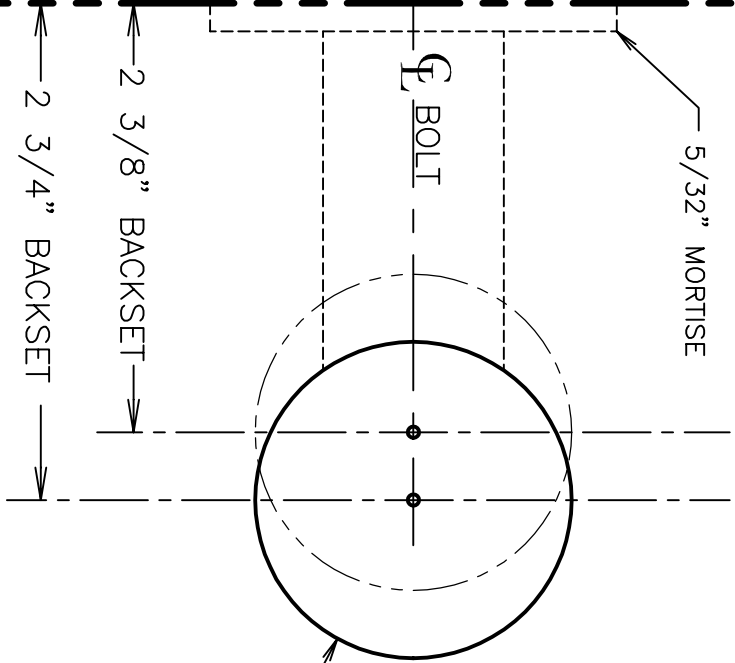
TEMPLATE NO.  
KVA125.02

MARK  
CENTER OF  
DOOR  
THICKNESS  
FOR 1" DIA.  
HOLE



BOLT AND DOOR  
THICKNESS

TEAR HERE



5/32" MORTISE

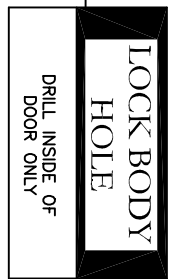
BOLT

2 3/8" BACKSET

2 3/4" BACKSET

NOTE: ADJUST  
TEMPLATE FOR  
BEVELED DOORS

ø 1 3/4



# DOOR TEMPLATE



DATE: 4-28-00

KV 125  
 ADJUSTABLE BACKSET  
 MAY NOT BE TO SCALE  
 PLEASE ENSURE THAT THIS IS THE MOST UP  
 TO DATE TEMPLATE BY VISITING OUR  
 WEBSITE AT [WWW.PDQLOCKS.COM](http://WWW.PDQLOCKS.COM)