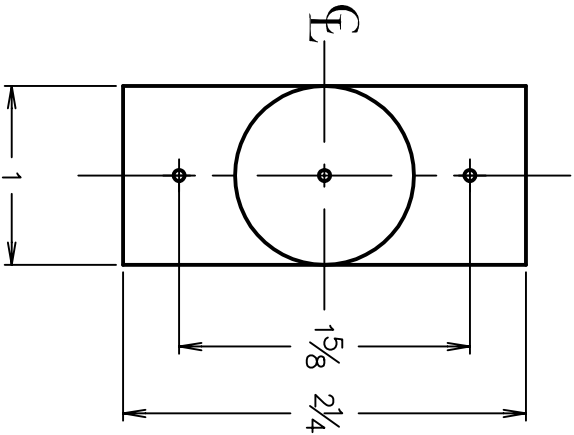
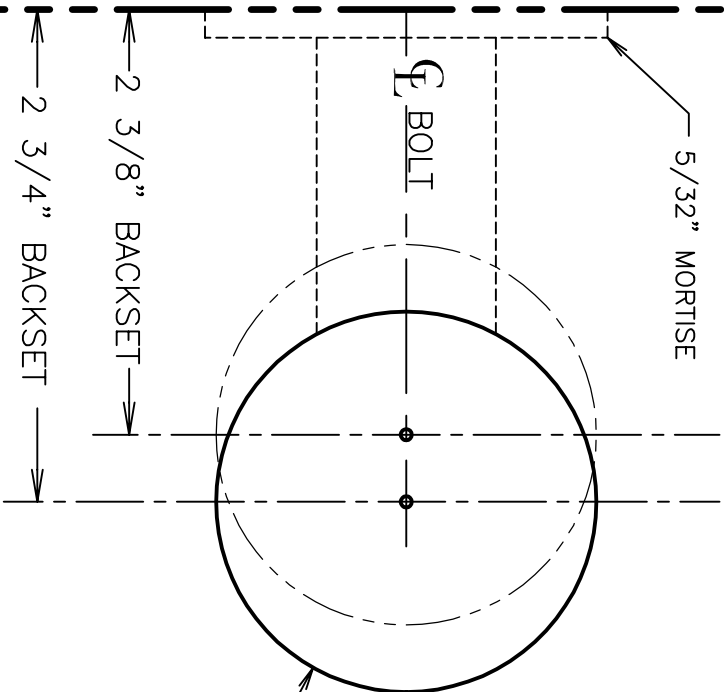


MARK  
CENTER OF  
DOOR  
THICKNESS  
FOR 1" DIA.  
HOLE



BOLT AND DOOR  
THICKNESS  
F

TEAR HERE



NOTE: ADJUST  
TEMPLATE FOR  
BEVELED DOORS

$\phi 2\frac{1}{8}$



## DOOR TEMPLATE



KV, KM, KR 137

ADJUSTABLE BACKSET  
MAY NOT BE TO SCALE

DATE: 1-5-00

PLEASE ENSURE THAT THIS IS THE MOST UP  
TO DATE TEMPLATE BY VISITING OUR  
WEBSITE AT [WWW.PDQLOCKS.COM](http://WWW.PDQLOCKS.COM)