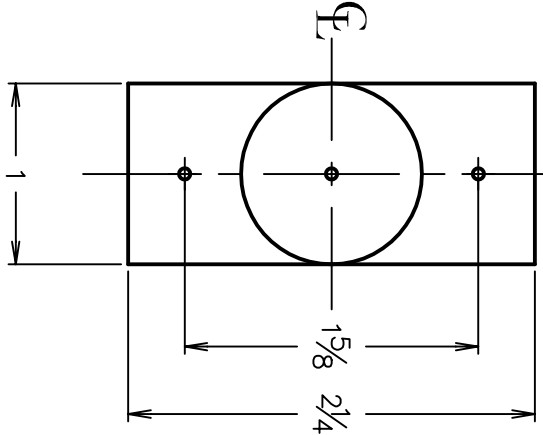


TEMPLATE NO.
KV8125.02

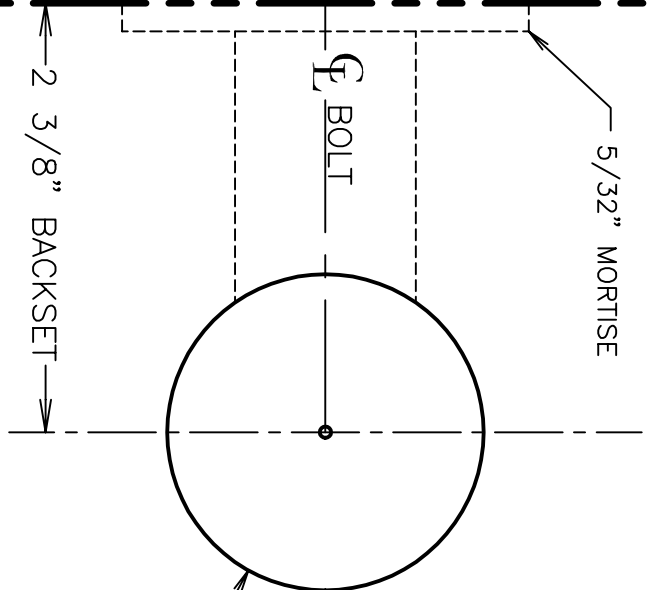
MARK
CENTER OF
DOOR
THICKNESS
FOR 1" DIA.
HOLE



BOLT AND DOOR
THICKNESS

TEAR HERE

5/32" MORTISE



Ø 1 3/4

LOCK BODY
HOLE
DRILL INSIDE OF
DOOR ONLY

DOOR TEMPLATE



DATE: 4-28-00

KV 125

2 3/8" BACKSET (FIXED)

MAY NOT BE TO SCALE

PLEASE ENSURE THAT THIS IS THE MOST UP
TO DATE TEMPLATE BY VISITING OUR
WEBSITE AT WWW.PDQLOCKS.COM