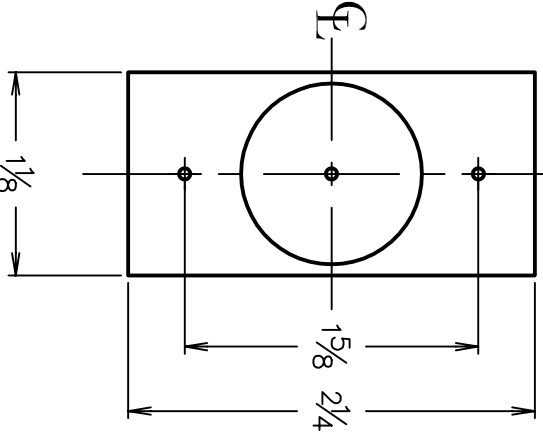


TEMPLATE NO.
KV4125.02

MARK
CENTER OF
DOOR
THICKNESS
FOR 1" DIA.
HOLE



BOLT AND DOOR
THICKNESS
F

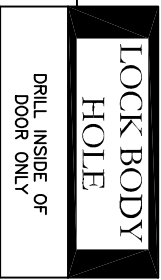
TEAR HERE

5/32" MORTISE

F BOLT

2 3/4" BACKSET

ø 1 3/4



NOTE: ADJUST
TEMPLATE FOR
BEVELED DOORS

DOOR TEMPLATE



DATE: 4-28-00

KV 125

2 3/4" BACKSET (FIXED)
MAY NOT BE TO SCALE

PLEASE ENSURE THAT THIS IS THE MOST UP
TO DATE TEMPLATE BY VISITING OUR
WEBSITE AT WWW.PDQLOCKS.COM