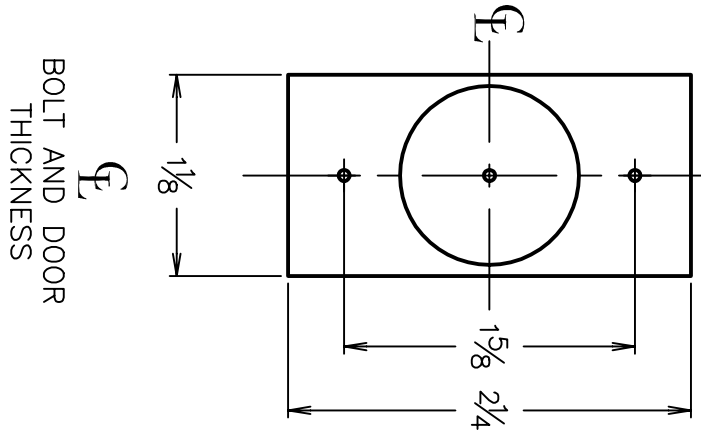
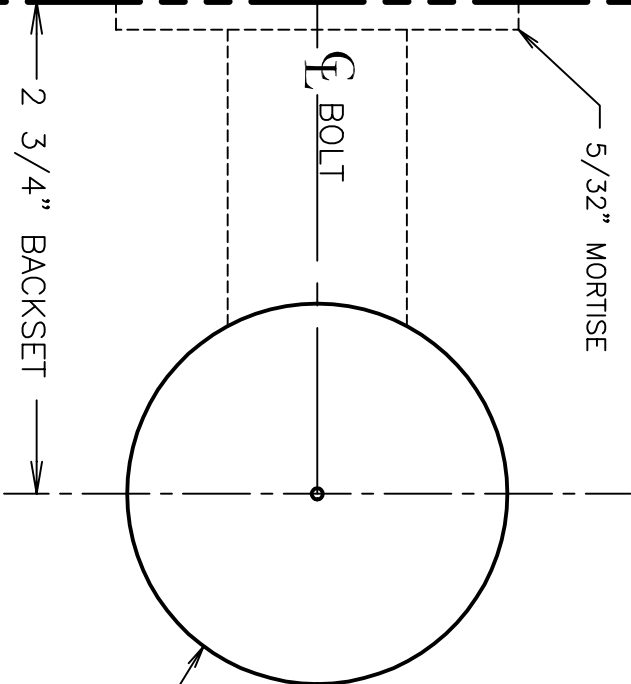


MARK
CENTER OF
DOOR
THICKNESS
FOR 1" DIA.
HOLE

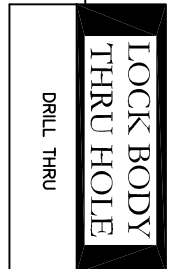


TEAR HERE

5/32" MORTISE



ø2 1/8



NOTE: ADJUST
TEMPLATE FOR
BEVELED DOORS

BOLT AND DOOR
THICKNESS
F

DOOR TEMPLATE



DATE: 1-5-00

KV, KM, KR 137
2 3/4" BACKSET (FIXED)
MAY NOT BE TO SCALE

PLEASE ENSURE THAT THIS IS THE MOST UP
TO DATE TEMPLATE BY VISITING OUR
WEBSITE AT WWW.PDQLOCKS.COM