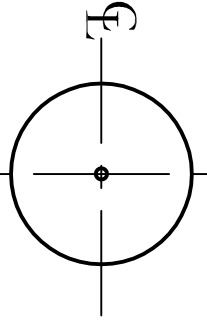
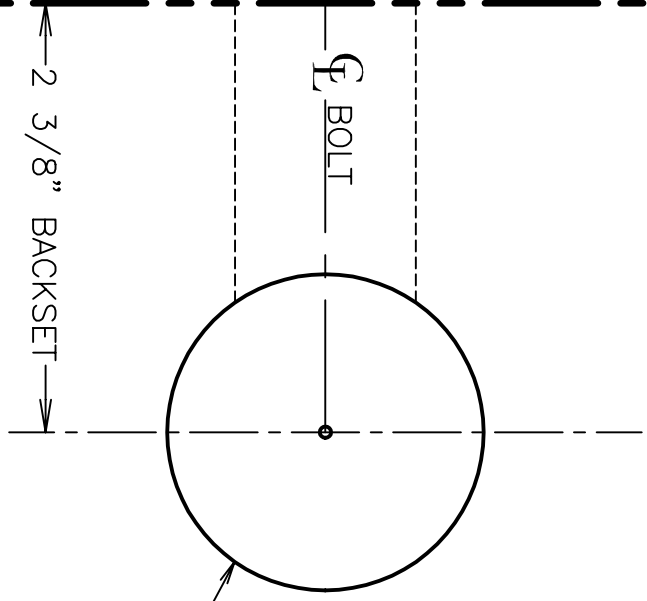


MARK
CENTER OF
DOOR
THICKNESS
FOR 1" DIA.
HOLE



BOLT AND DOOR
THICKNESS

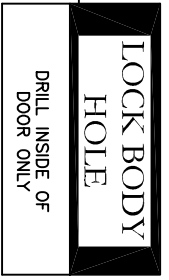
TEAR HERE



← 2 3/8" BACKSET →

NOTE: ADJUST
TEMPLATE FOR
BEVELED DOORS

Ø 1 3/4



DOOR TEMPLATE



DATE: 4-28-00

KV 125 DRIVE IN BOLT
2 3/8" BACKSET (FIXED)
MAY NOT BE TO SCALE
PLEASE ENSURE THAT THIS IS THE MOST UP
TO DATE TEMPLATE BY VISITING OUR
WEBSITE AT WWW.PDQLOCKS.COM