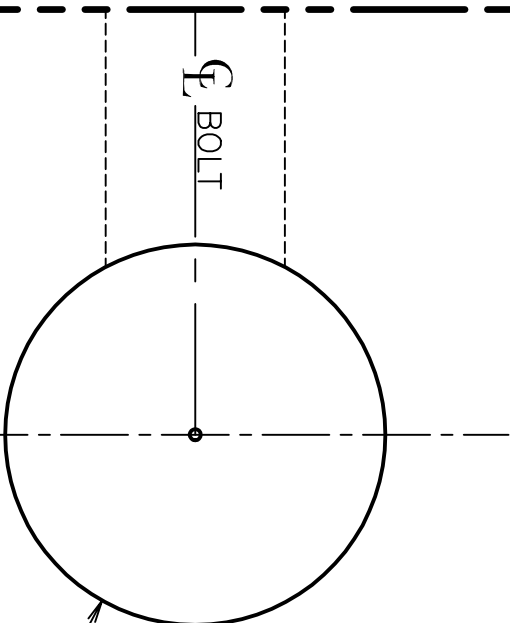


MARK
CENTER OF
DOOR
THICKNESS
FOR 1" DIA.
HOLE



TEAR HERE

← 2 3/8" BACKSET →



NOTE: ADJUST
TEMPLATE FOR
BEVELED DOORS

Ø 2 1/8



DOOR TEMPLATE



DATE: 1-5-00

KV, KM, KR 137 DRIVE IN BOLT
2 3/8" BACKSET (FIXED)

MAY NOT BE TO SCALE

PLEASE ENSURE THAT THIS IS THE MOST UP
TO DATE TEMPLATE BY VISITING OUR
WEBSITE AT WWW.PDQLOCKS.COM